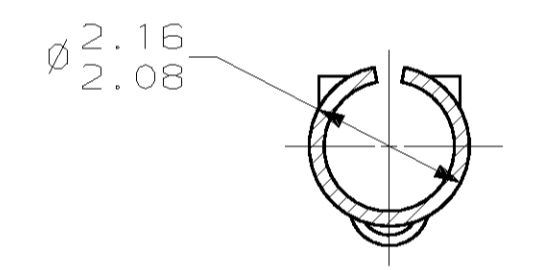
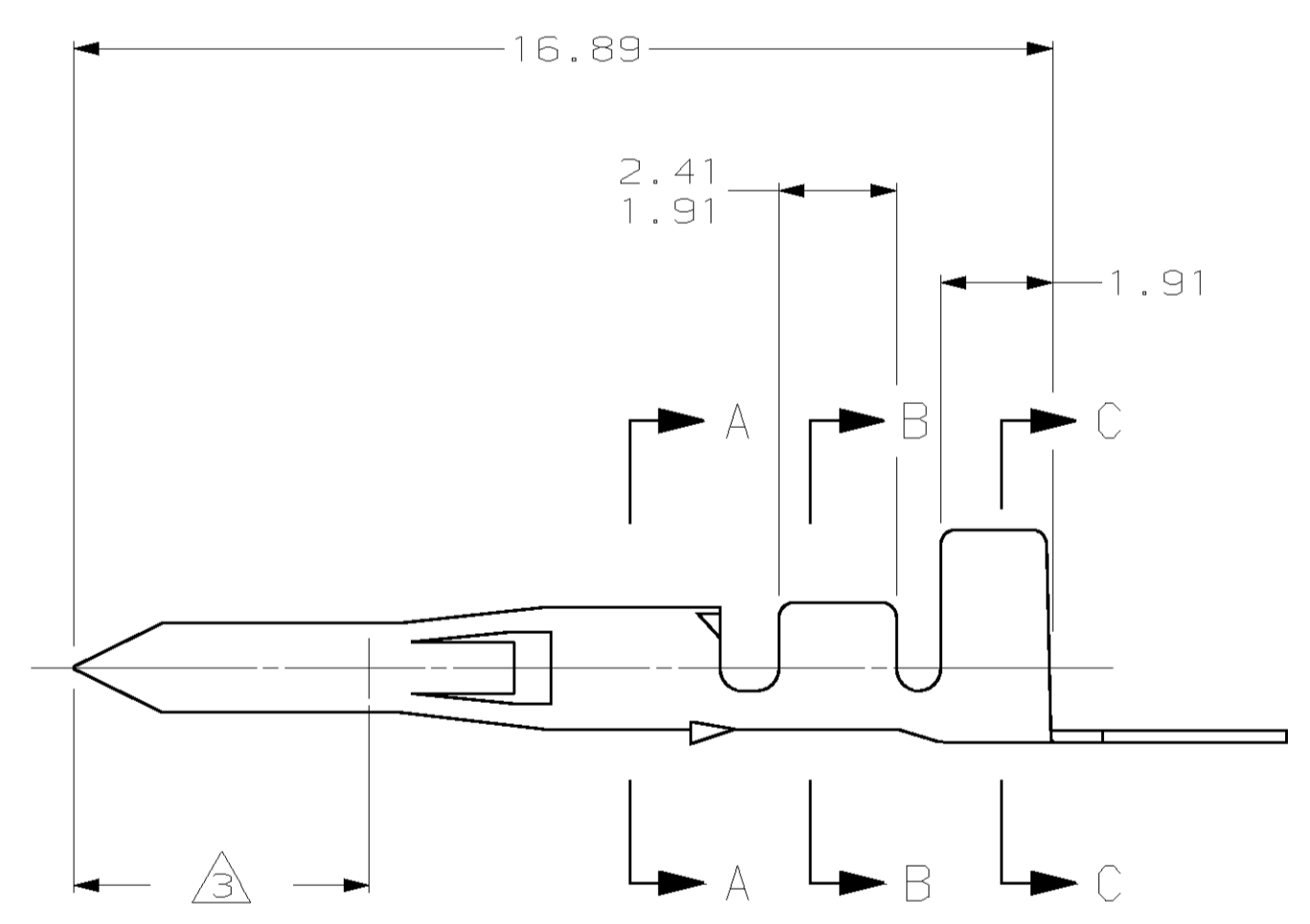
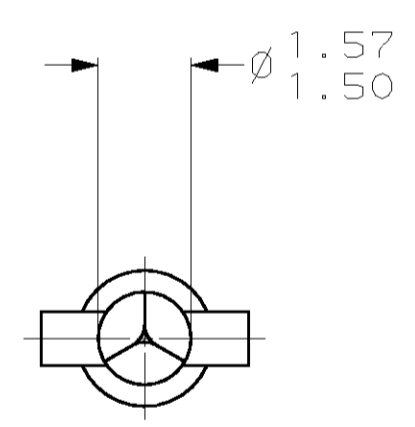
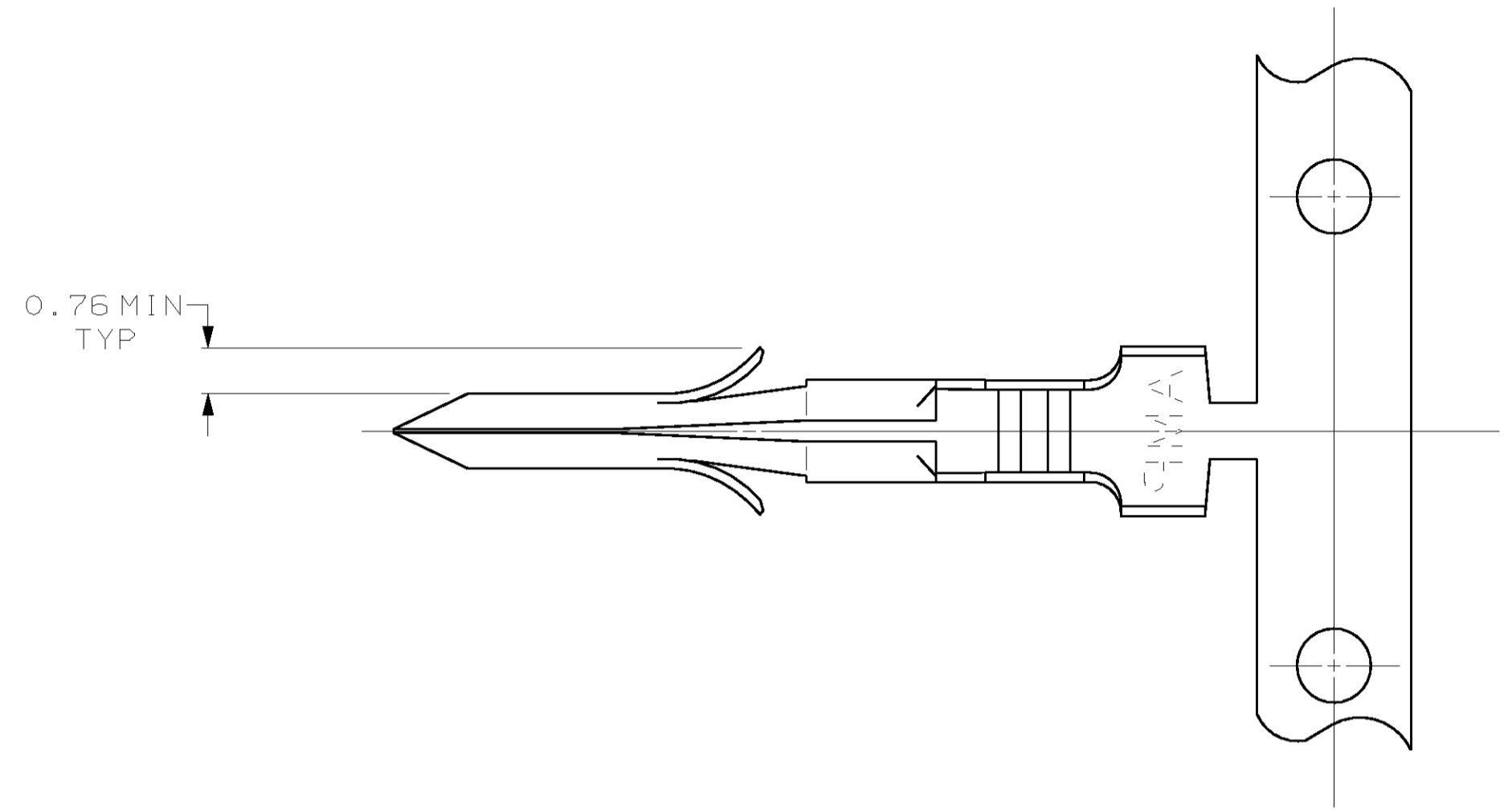
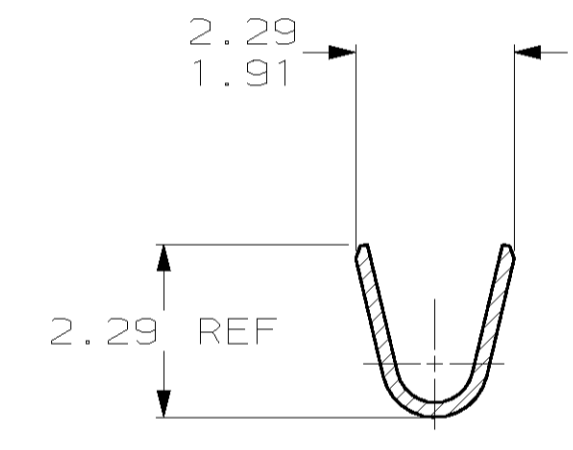


LOC	DIST	REVISIONS			
		REV	DATE	BY	APPV
CM	53	U	REVISED PER EC 063B-0253-99	01MAR00	LM KC

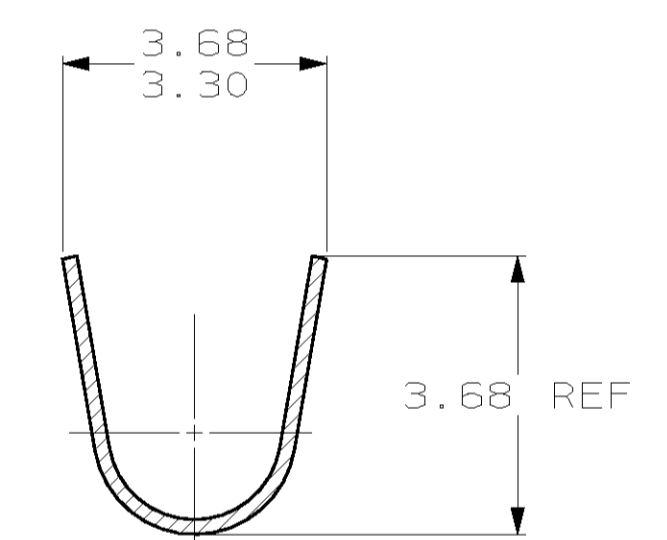
③ NICKEL OVER ENTIRE TERMINAL WITH 0.00076 THICK GOLD OVER 5.08 LENGTH.



SECTION A-A
SCALE 10:1



SECTION B-B
SCALE 10:1



SECTION C-C
SCALE 10:1

MM	IN	MM	IN	MM	IN
1.50	.059	2.41	.095	-	-
1.27	.050	2.29	.090	16.89	.665
0.76	.030	2.16	.085	5.08	.200
0.20	.008	2.08	.082	3.68	.145
0.13	.005	1.91	.075	3.30	.130
0.00076	0.00030	1.57	.062	2.79	.110

CONVERSION TABLE

PRE-TIN	MATERIAL	INSULATION DIAMETER	WIRE RANGE	PART NO
	0.20 PH BRZ	1.27 - 2.79	0.2 - 0.9 mm ² (24-18 AWG)	350629-8
③	0.20 BRASS	1.27 - 2.79	0.2 - 0.9 mm ² (24-18 AWG)	350629-5
PRE-TIN	0.20 BRASS	1.27 - 2.79	0.2 - 0.9 mm ² (24-18 AWG)	350629-1

METRIC

THIS DRAWING IS A CONTROLLED DOCUMENT.

DIMENSIONS:	TOLERANCES UNLESS OTHERWISE SPECIFIED:	DWN: S. LEWIS 9-12-90	AMP INCORPORATED
mm	0 PLC ±.01	CHK: R. SWING 9-13-90	Harrisburg, PA 17105-3608
	1 PLC ±.02	APPV: C. CASH 9-27-90	AMP Incorporated
	2 PLC ±.03	NAME:	AMP
	3 PLC ±.04	PRODUCT SPEC:	AMP
	4 PLC ±.05	APPLICATION SPEC:	AMP
	ANGLES ±.01	SIZE: A1	00779
MATERIAL: SEE TABLE	FINISH: SEE TABLE	WEIGHT: -	350629
CUSTOMER DRAWING		SCALE: 8:1	SHEET 1 OF 1